



Limit switch plastic encapsulated

BARTEC



Limit switch plastic encapsulated

Features

- Positive break contacts
- Very robust construction
- IP 67 protection class
- 13 different actuator versions
- Operator protection in accordance with GS-ET 15

Description

Besides the metal-enclosed precision switch of the RET series, BARTEC also offers a series of limit switches with plastic bodies. The enclosure is made of shock impact resistant proof plastic providing an IP 67 protection class according to IEC 60529. Due to its format several limit switches can be mounted in tandem formation requiring very little space.

This allows a multiple triggering of switching operations. The connection cable is equipped with a strain relief device, prewired and safely cast into the enclosure by means of epoxy resin. We supply this robust limit switch with a standard length of 3 m; special lengths are available on request.

The integrated switching element changes over via NC contact with positive break operation. Operator protection corresponds to the GS-ET 15 requirements.

Its high vibration resistance and long life are the result of a most extensive laboratory research. The certification for hazardous areas and the high protection class granted thanks to its structural characteristics are the ideal prerequisites for its use in almost all fields of automation, mechanical and high-tec engineering.

Explosion protection

Ex protection type

- ⊕ II 2G Ex d IIC T6/T5
- ⊕ II 2D IP 65 T 80 °C/95 °C

Certification

PTB 03 ATEX 1143 X

Ambient temperature

- 20 °C to +65 °C for T6
- 20 °C to +90 °C for T5 at 3 A

Technical data

Protection class

IP 67/IEC 60529

Enclosure

shock-resistant thermoplastic material, self-extinguishing
UL 94-V0

Switching element

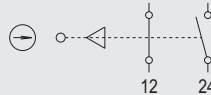
1 NO/1 NC contact
both galvanically isolated
NC contact with pos. break
(VDE 0113, Teil 1)

Connection

4 core cable H05VV-F
cross section: 0.75 mm²
cable length: 3 meters
other lengths on request

Colour coding of the flexible leads

- 11 = BN
- 12 = BU
- 23 = BK
- 24 = GY



Electrical structure

EN 60947-5-1

Nominal voltage

AC 250 V/DC 220 V

Nominal current

AC 6 A
DC 0.25 A

Switching capacity		
	with AC 15	with DC 13
250 V	6 A	-
230 V	-	0.25 A
24 V		4 A

Mechanical datas

Switching point tolerance

± 0.5 mm depending on the actuator

Actuality force tolerance

± 1 N

Repeat accuracy of switching

± 0.02 mm

Protection class

IP 67 according to DIN 40050

Mechanical life cycles

5 x 10⁶ cycles

Max. switching frequency

1 800 cycles/h

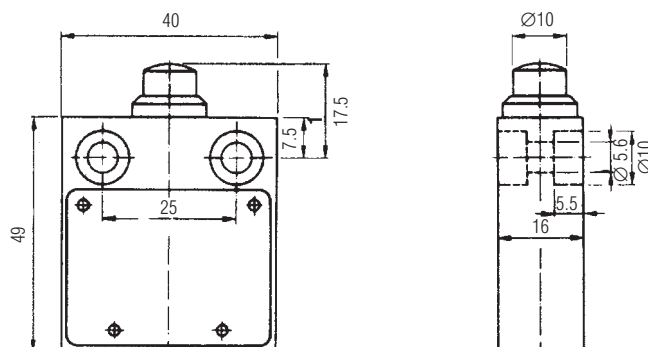
Vibration resistance

10 g at 10 to 2 000 Hz

Shock resistance/shock stability

50 g at a shock duration 6 ms

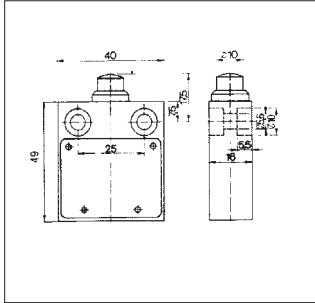
Dimensions



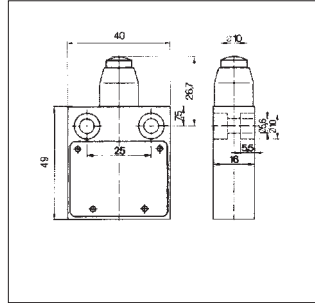


Selection chart

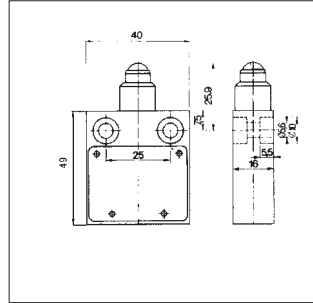
Plunger
07-2961-1.62/01



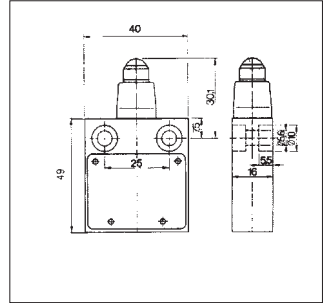
Membrane plunger
07-2961-1.62/02



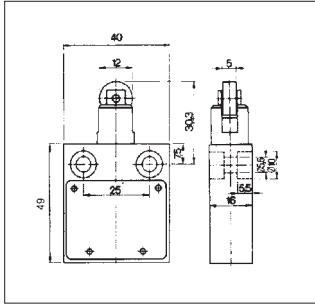
Spherical plunger
07-2961-1.62/03



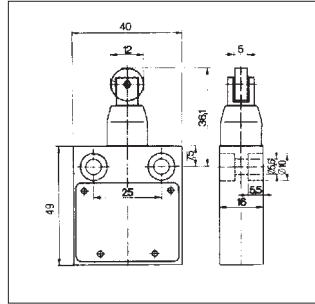
Spherical membrane plunger
07-2961-1.62/04



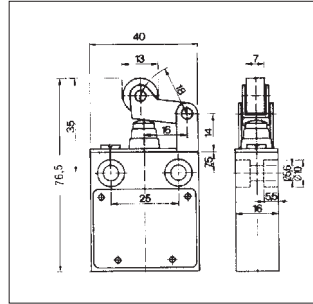
Roller plunger
07-2961-1.62/09



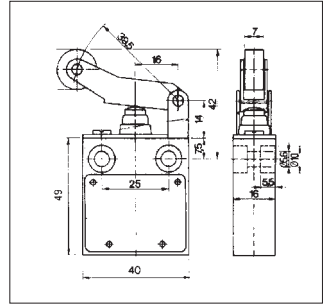
Membrane roller plunger
07-2961-1.62/10



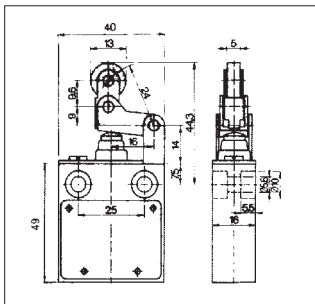
Membrane roller lever
07-2961-1.62/14



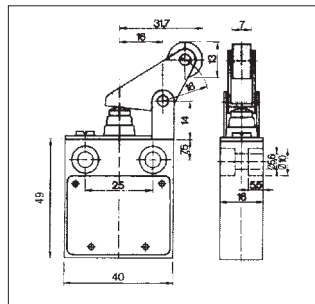
Membrane roller lever, long
07-2961-1.62/16



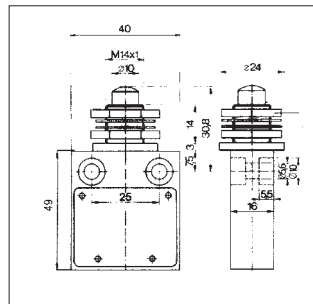
Membrane roller toggle lever
07-2961-1.62/18



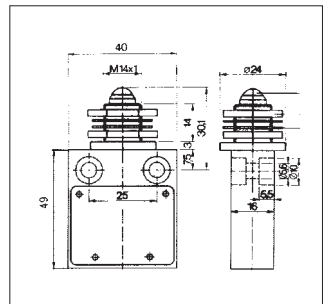
Parallel roller lever
07-2961-1.62/20



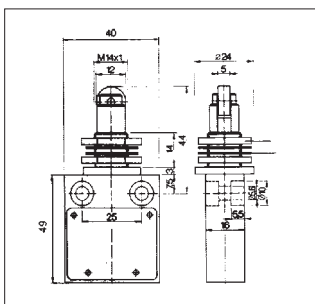
Front mounting/dome plunger
07-2961-1.62/47



Front mounting/spherical plunger
07-2961-1.62/49



Front mounting/roller lever
07-2961-1.62/51



Complete order no.

Bitte Kennziffer einsetzen

07-2961-1 62/

Cable length		Actuator
3 meters	3	
Special lengths on request	0	

Contact travel diagram

